

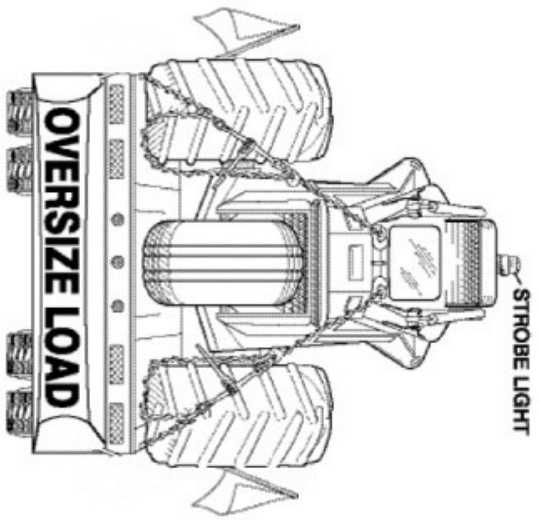
SAFELY LOADING AND UNLOADING LOGGING EQUIPMENT FOR TRANSPORT

an FRA Southwide Safety Committee Logging Safety Brochure

Note: Recommendations are not to be construed as a substitute for compliance with applicable federal and state laws.

- 1) No one should load or unload equipment alone.
- 2) Always use three points of contact when mounting and dismounting equipment.
- 3) Inspect the truck, lowboy, and tiedown equipment to ensure they are in safe working condition.
- 4) Park the truck and lowboy on a level surface that is sufficient to support the load. Make sure that all brakes are engaged on the truck and lowboy. Use chocks as needed.
- 5) Identify and avoid proximity hazards (power lines, pipelines, etc.).
- 6) Know your route; identify any posted roads or low bridges. Obtain any required permits prior to transport.
- 7) The only person in the immediate proximity to the loading or unloading of equipment should be the spotter to facilitate the equipment operator in aligning the equipment while loading and unloading.
- 8) Ensure that there is good visibility in all directions. A flagman or spotter must be provided where necessary when loading or unloading on public roads.
- 9) Articulated equipment shall be restrained in a manner that prevents articulation while in transit.
- 10) All equipment, attachments, and accessories must be restrained against movement in any direction using a minimum of four independent tiedowns.
- 11) Each of the tiedowns must be affixed as close as practical to the front and rear of the lowboy, or mounting points on the lowboy that have been specifically designed for that purpose.
- 12) Accessory equipment, such as hydraulic booms and blades, must be completely lowered and secured to the lowboy. Maximum height for any load is 13'6".
- 13) Flags must be displayed so as to wave freely on all four corners or at the extreme ends of all protrusions if the load extends beyond the outside edge of the lowboy. Strobe lights may also be required on top of the cab and be visible from every side. Consult state DOT regulations for definite application.
- 14) Trailer must have reflective tape on 50 percent of both sides and on 100 percent of the rear.
- 15) The combined rated capacity of all chains and binders must be equal to at least one-half of the weight of the secured equipment. Grade must be marked on any chains.
- 16) Secure "Oversize Load" signs to the front of the truck and the rear of the lowboy when the load projects beyond the sides or rear of the lowboy.
- 17) Secure all ramps and equipment prior to transport. Check chains and binders frequently during transport.

OVERSIZE LOAD – REAR VIEW



OVERSIZE LOAD REQUIREMENTS

